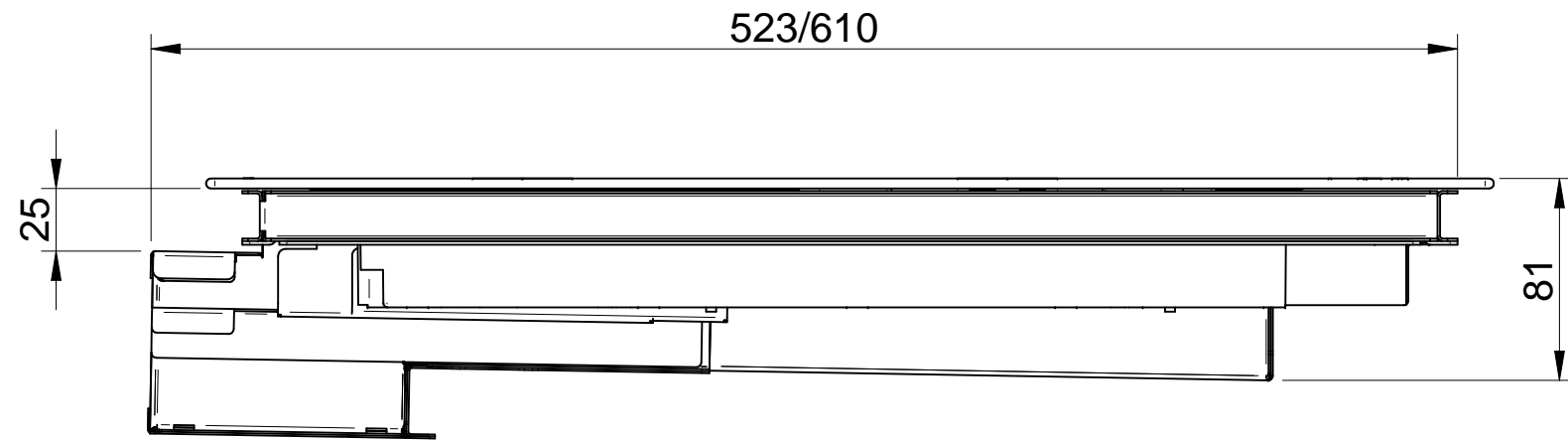
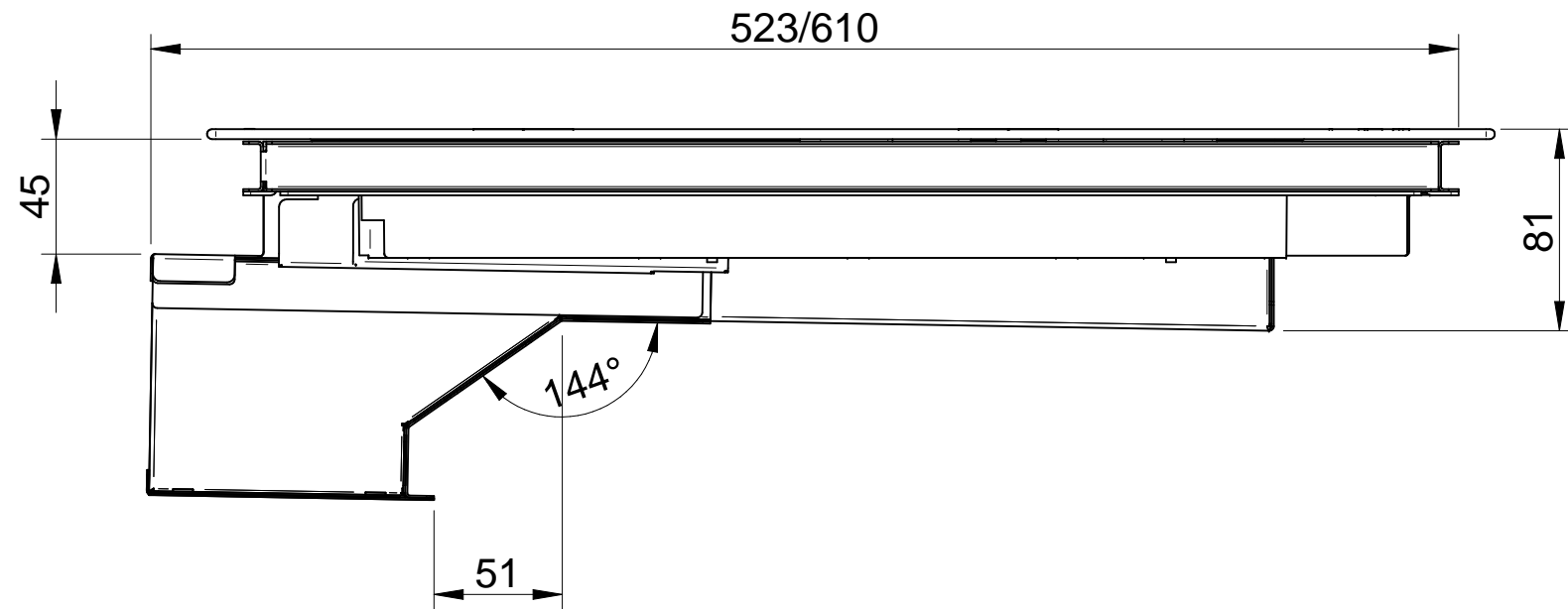



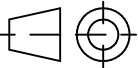
Dim. in mm unless otherwise specified Tolerances ISO 2768		Material:	This drawing is the property of OPERA Hausgeräte GmbH Unterm Wolfsberg 9/9a 75177 Pforzheim, Germany
Date:	Name:	-	
Drawn:	13/01/2022	GDP	Title:
Verified.:	-	-	<b>FONDA 83 - TECHNICAL DRAWINGS</b>
Rev.:	00	-	
<b>OPERA</b> www.operahsg.com		Model:	FONDA
		Drawing:	DFO83
			1:5
			A3



Option 1


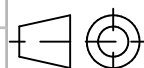


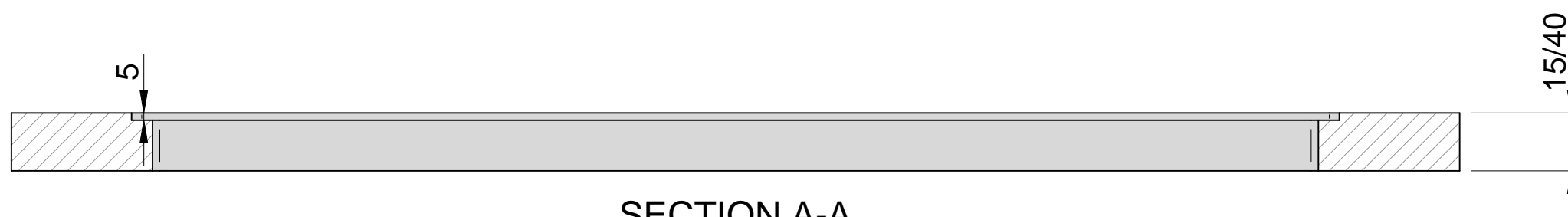
Option 2

Dim. in mm <b>unless otherwise specified</b> Tolerances ISO 2768		Material:	This drawing is the property of OPERA Hausgeräte GmbH Unterm Wolfsberg 9/9a 75177 Pforzheim, Germany
Date:	Name:	-	
Drawn:	13/01/2022	GDP	Title: <b>FONDA 83 - TECHNICAL DRAWINGS</b>
Verified.:	-	-	
Rev.:	00	-	
 <a href="http://www.operahsg.com">www.operahsg.com</a>		Model:	FONDA
		Drawing:	DF083
			Scale: <b>1:3</b> 
			A3

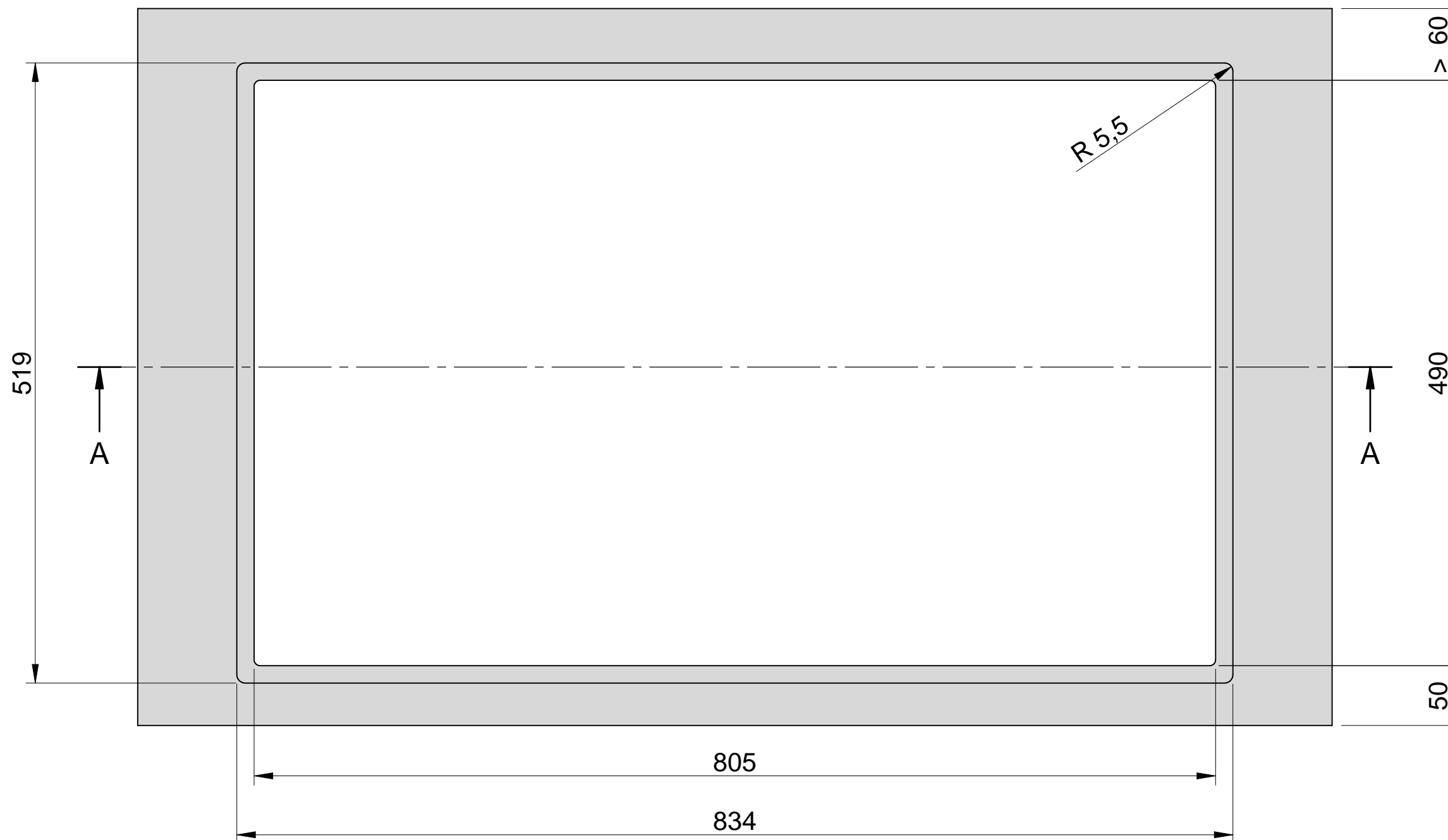


Cut-out for surface mounting


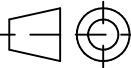
Dim. in mm <b>unless otherwise specified</b> Tolerances ISO 2768			Material:	This drawing is the property of OPERA Hausgeräte GmbH Unterm Wolfsberg 9/9a 75177 Pforzheim, Germany
	Date:	Name:	-	
Drawn:	13/01/2022	GDP	Title:	Scale: <b>1:4</b>
Verified.:	-	-	<b>FONDA 83 - TECHNICAL DRAWINGS</b>	
Rev.:	00	-	Model: FONDA	
 <a href="http://www.operahsg.com">www.operahsg.com</a>			Drawing: DF083	 A3

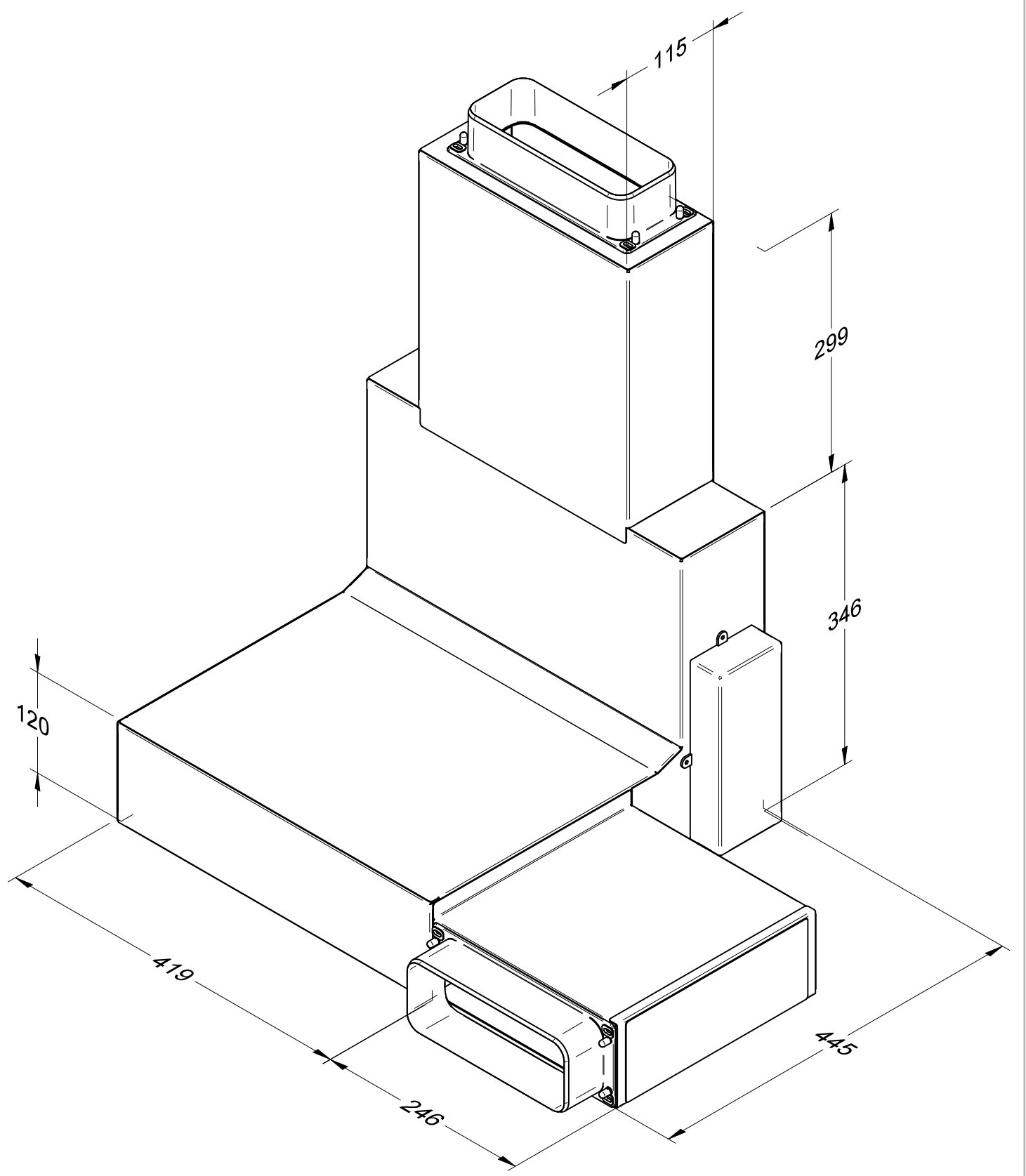
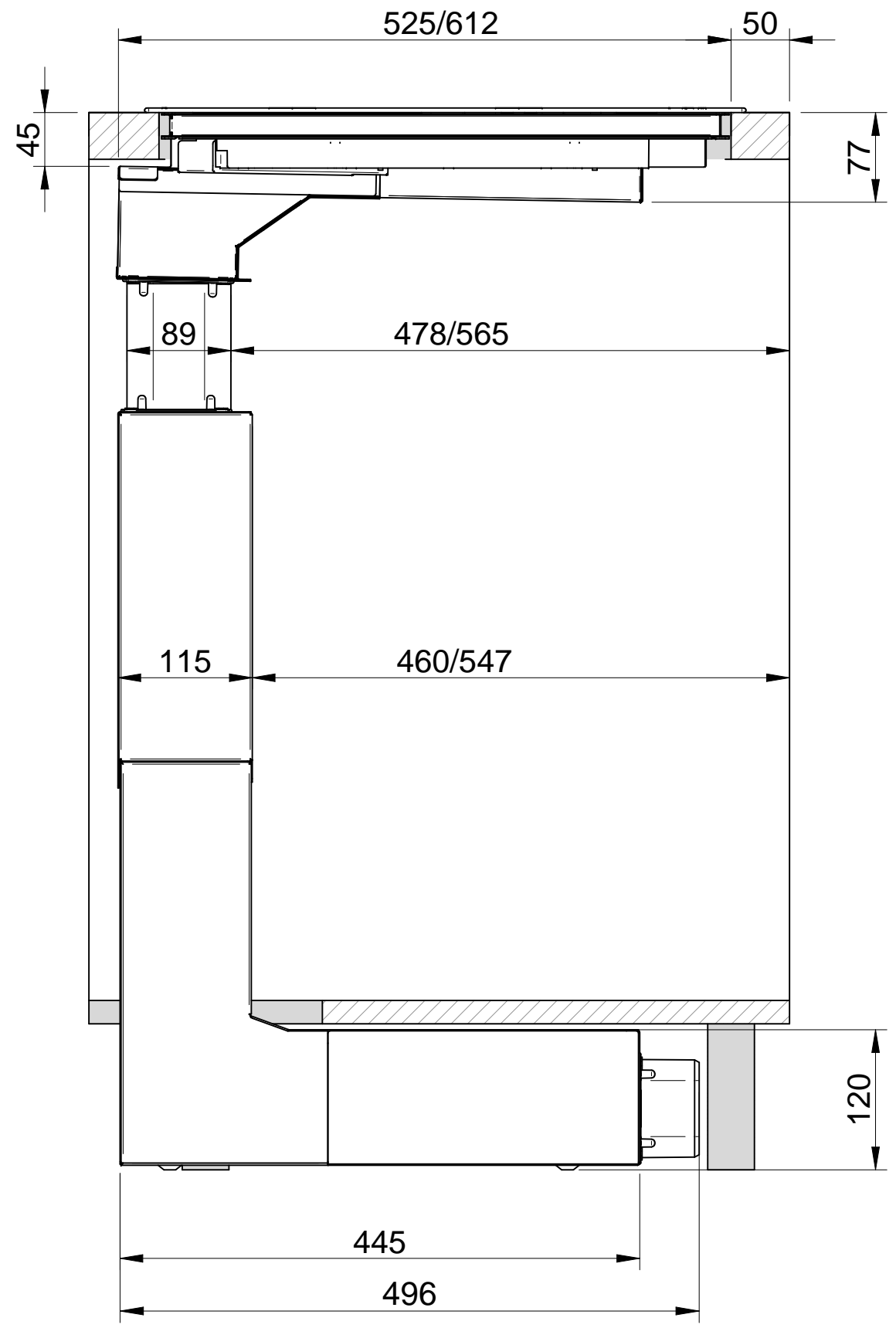



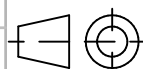
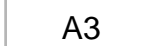
SECTION A-A



Cut-out for flush mounting

Dim. in mm unless otherwise specified Tolerances ISO 2768		Material:	This drawing is the property of OPERA Hausgeräte GmbH Unterm Wolfsberg 9/9a 75177 Pforzheim, Germany
Date:	Name:	-	
Drawn:	13/01/2022	GDP	Title: <b>FONDA 83 - TECHNICAL DRAWINGS</b>
Verified.:	-	-	
Rev.:	00	-	
 <a href="http://www.operahsg.com">www.operahsg.com</a>		Model:	FONDA
		Drawing:	DF083
			Scale: <b>1:4</b> 
			A3



Dim. in mm unless otherwise specified Tolerances ISO 2768		Material: -	This drawing is the property of OPERA Hausgeräte GmbH Unterm Wolfsberg 9/9a 75177 Pforzheim, Germany	
Date:	13/01/2022	Name:	GDP	
Drawn:	13/01/2022	Title:	FONDA 83 - TECHNICAL DRAWINGS	
Verified.:	-	Model:	FONDA	
Rev.:	00	Drawing:	DF083	
 <a href="http://www.operahsg.com">www.operahsg.com</a>		 Scale: 1:5		 A3