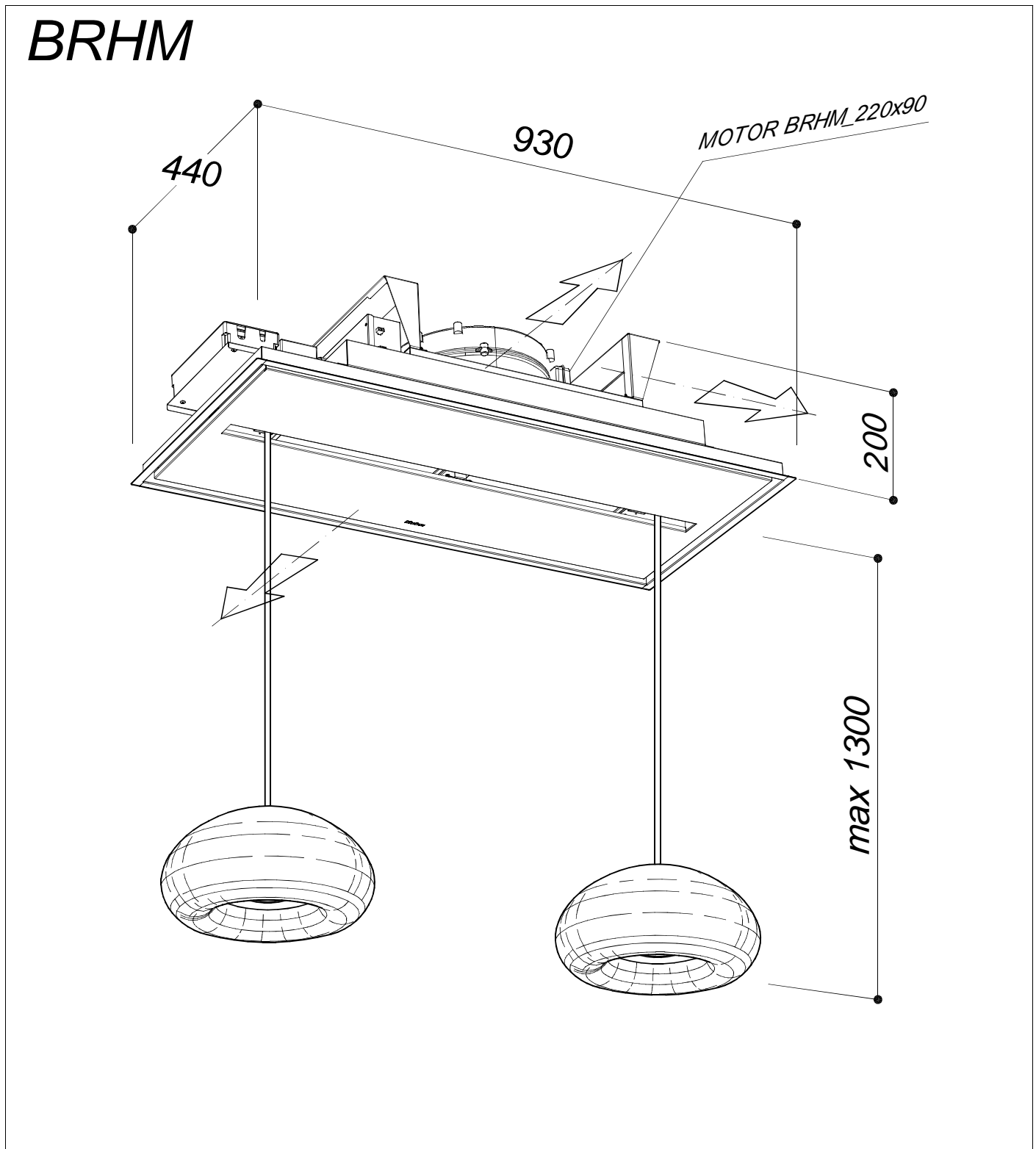


# SLT976



*For the installation, create a false ceiling with a niche of 915mm for 425mm whose minimum height to be reached is 200mm*