



AT THE TOUCH OF A BUTTON

FILTERED COLD & STEAMING
HOT WATER. PLUS REGULAR
HOT & COLD WATER.

SPECIAL EDITION

4N1 L Shape Steaming Hot Water Tap

Our most advanced tap ever. The 4N1 Touch delivers steaming hot water for instant hot drinks and helping with countless kitchen tasks. Its innovative illuminated touch button control also gives you instant filtered drinking water. Perfect for reducing the need for bottled water or cumbersome water jugs. Available in three stunning finishes, they are designed and manufactured to the highest standards in Italy.

Features

- Dispenses filtered cold water for 30 seconds, at the touch of a button
- Dispenses filtered steaming hot water - perfect for hot drinks and countless kitchen tasks
- Innovative and illuminated touch button control
- Swivel spout
- Premium contemporary Italian design
- Manufactured with premium materials
- Elegant one-piece design
- Efficient use of space and time
- Easy to install
- Available in polished chrome, brushed steel and velvet black finishes
- 5 year tap guarantee and 2 year tank guarantee
- Safe, multi-step hot water handle



PRODUCT SPEC SHEET

4N1 Touch L Shape

SHOWROOM
COLLECTION

 DESIGNED & MADE IN ITALY



SPECIFICATIONS

- Solid, high-quality low lead brass
- Complete installation kit for solid surface mount
- Capacity: 2.5 litre stainless steel tank
- Features a digital adjustable dial that allows you to set your preferred temperature between 88°C and 98°C
- Tap height: 300mm
- Required hole diameter: 35-38mm
- Required supply pressure (cold): 172-862 kPa (1.7-8.6 bar) (25-125 psi)
- Required supply pressure (hot): 50xPa (0.5 bar) (7 psi)

AVAILABLE IN THREE FINISHES



Polished
chrome

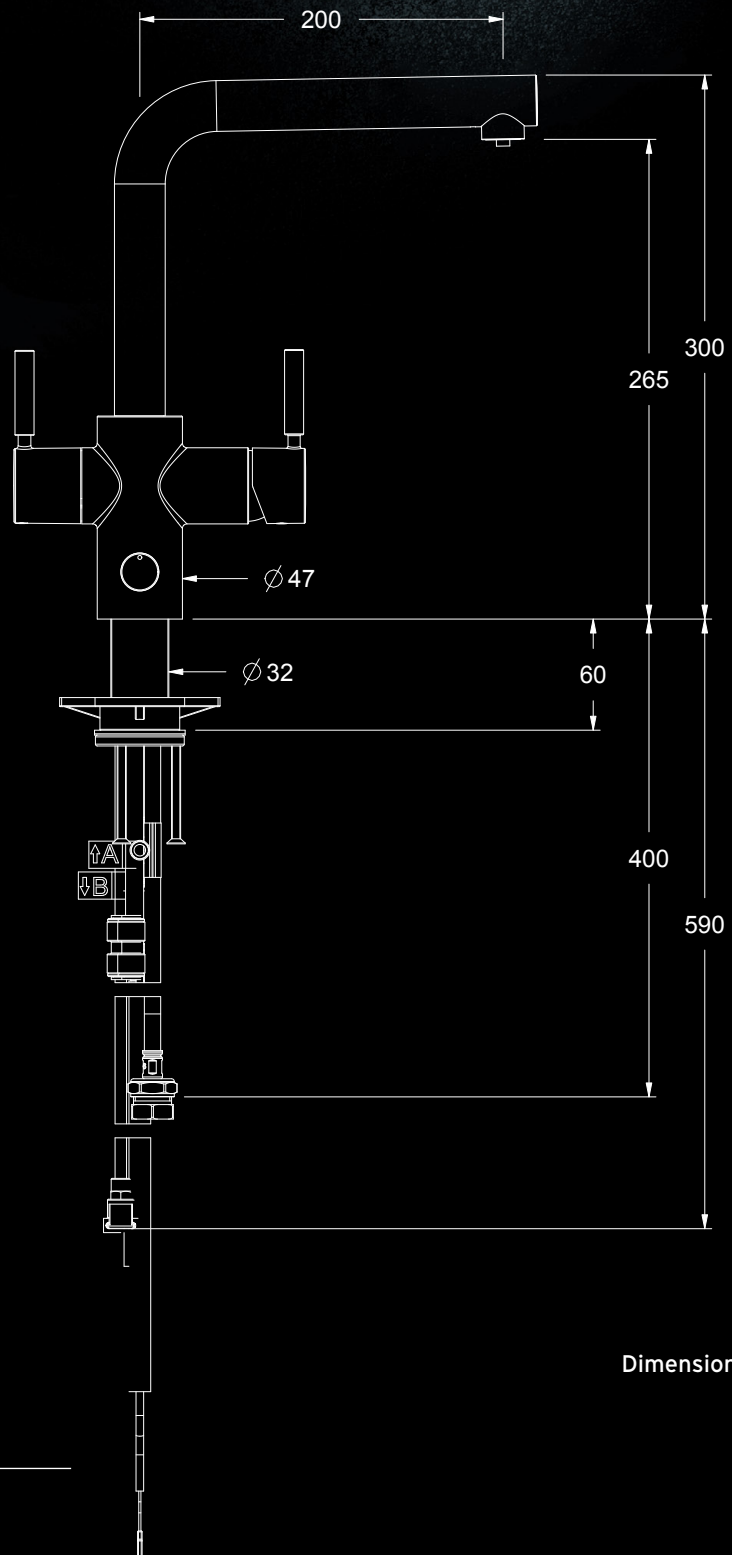
Brushed
steel

Velvet
black

L SHAPE POLISHED CHROME EAN:
050375021988

L SHAPE BRUSHED STEEL EAN:
050375021995

L SHAPE VELVET BLACK EAN:
050375022800



Dimensions (mm)



InSinkErator
Suite 10, Building 6
Hatters Lane
Croxley Park, Watford,
Herts WD18 8YH
United Kingdom

InSinkErator
Emerson Electric Co.
4700 21st Street
Racine, WI 53406-5093 USA

Sales/Service tel: 00 1 262-554-5432
www.insinkerator.com/worldmap.html

Sales tel: 01923 297 880
Service tel: 0800 389 3715
insinkerator.co.uk

