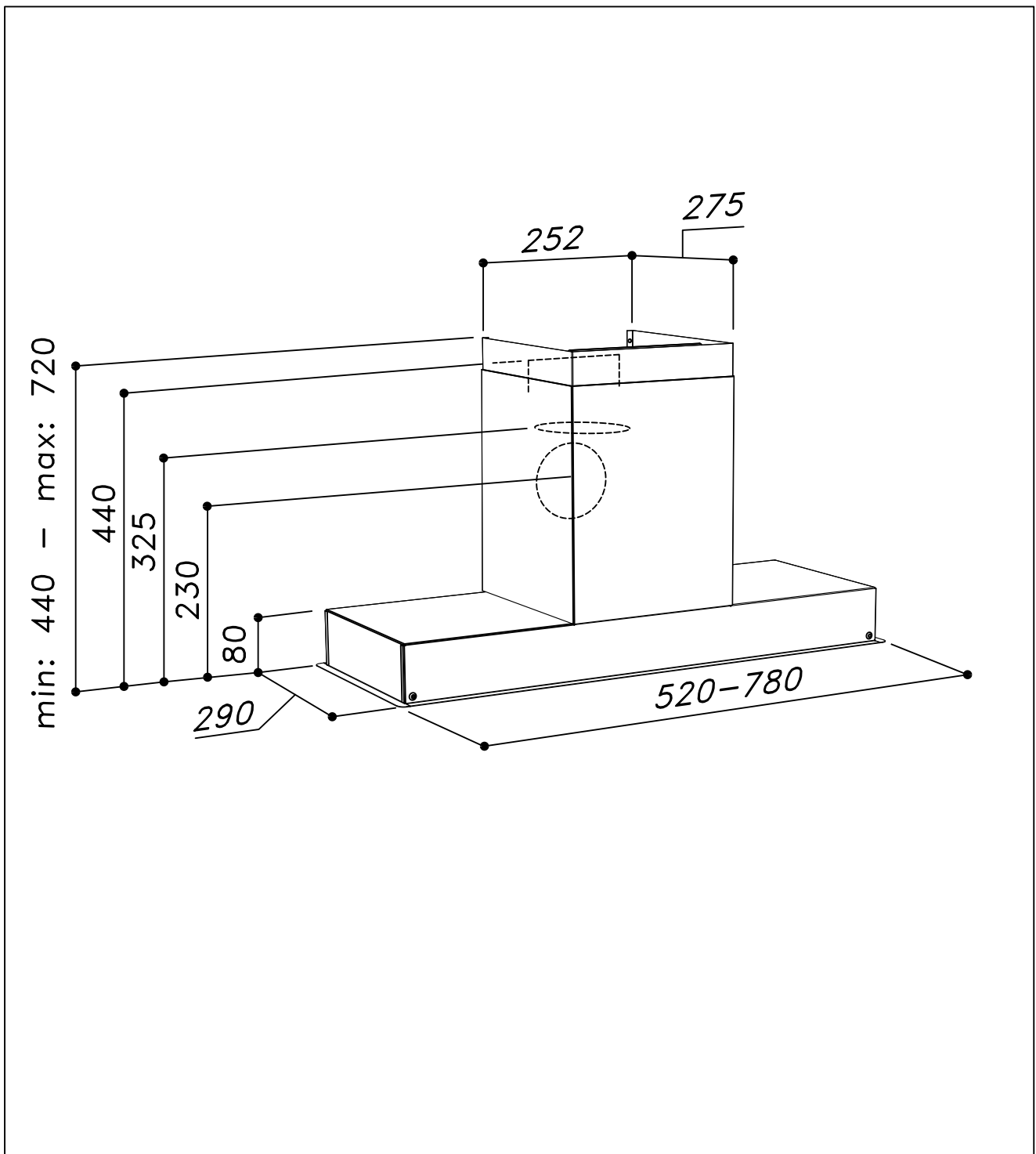


# S 921



Rectangular opening (mm): 760x270  
500x270

mar 2018